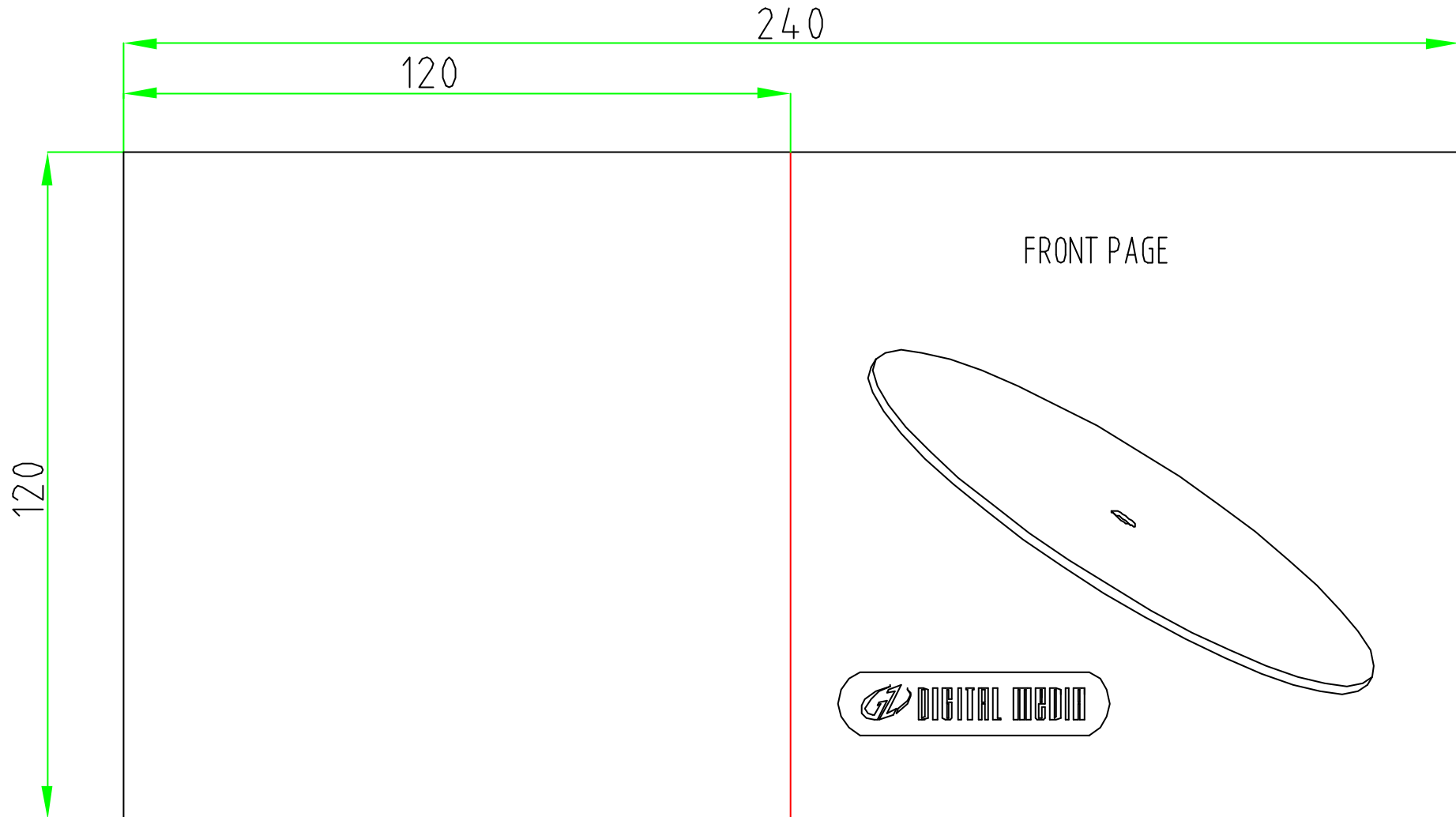
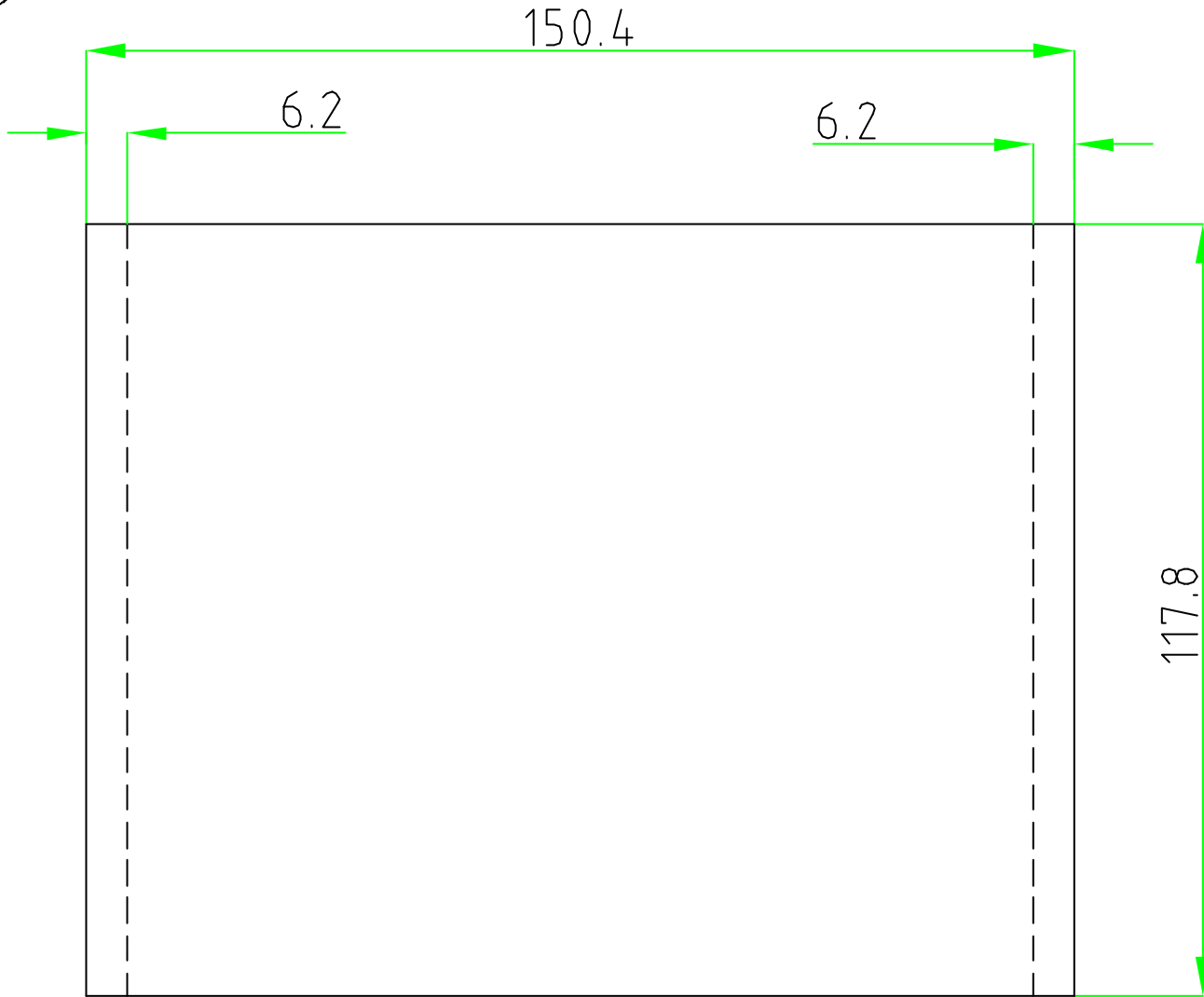


Code description: Booklet 6 p.	Mat: Coated paper	Addition for bleed 3mm	Line width:min. 0,1 mm	Code: CD06
	Paper weight: 150 gr White	Colouring: CMYK+1	Screening: 150 Lpi	
		Font size:min.6 PT	Modification:no	

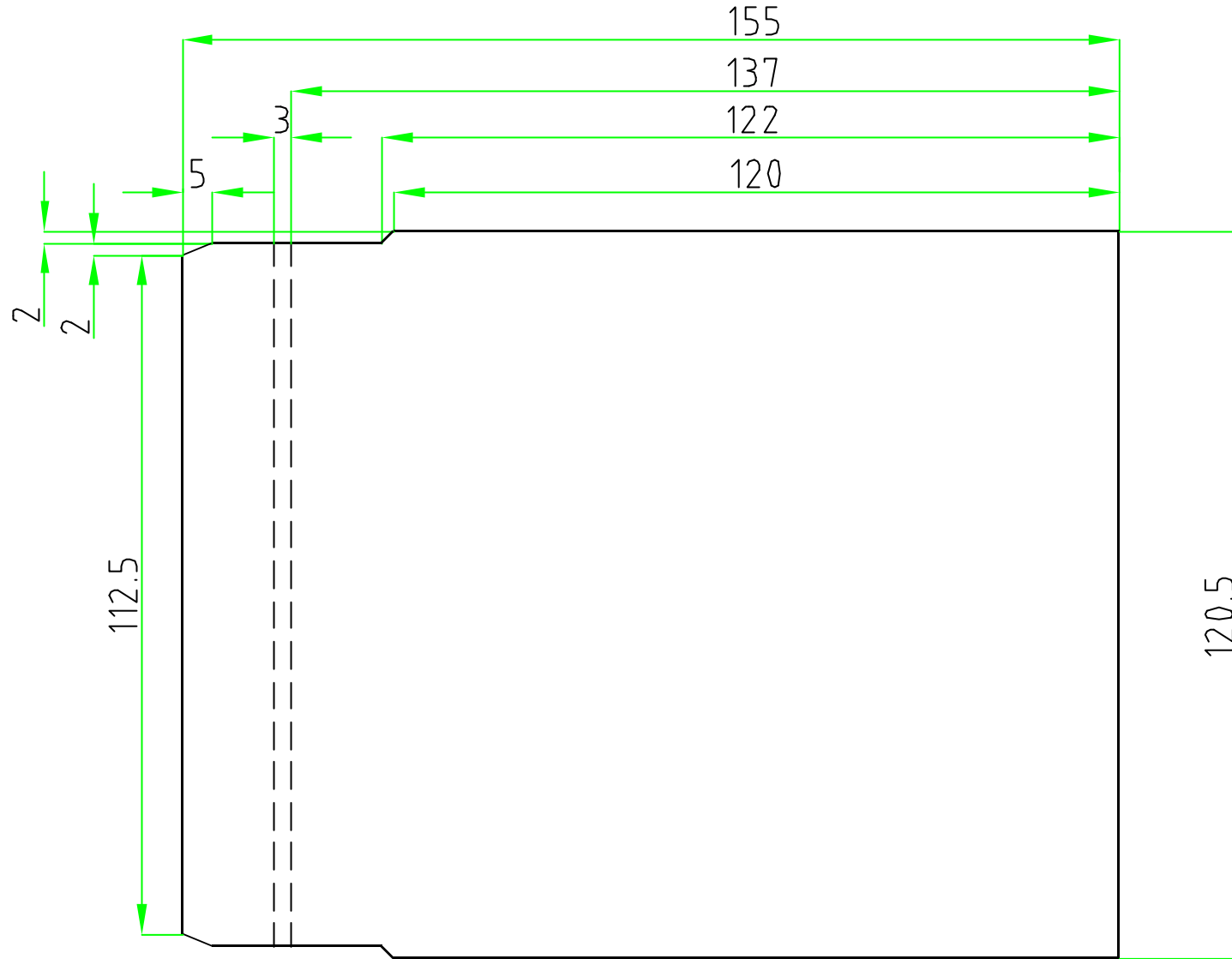


Code description: Booklet	Mat: Coated paper	Addition for bleed 3mm	Line width: min. 0,1 mm	Code: CD04N;N=1,...9
	Paper weight: 150 gr White	Colouring: CMYK+1	Screening: 150 Lpi	
		Font size: min. 6 PT	Modification: no	



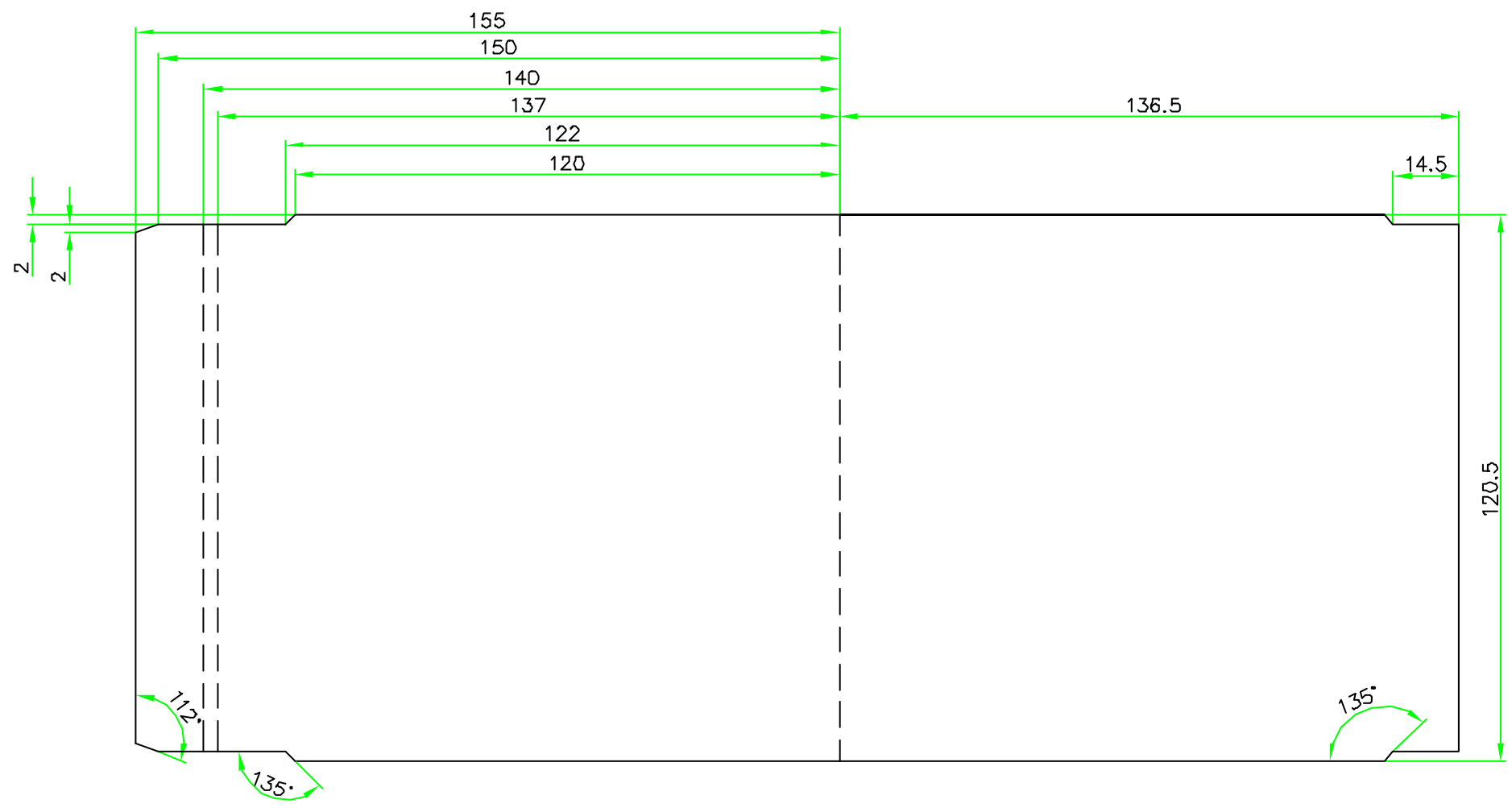
Code description: Inlay	Mat: Coated paper	Addition for bleed 3mm	Line width: min. 0,1 mm	Code: CDO
	Paper weight: 150 gr White	Colouring: CMYK+1	Screening: 150 Lpi	
		Font size: min. 6 PT	Modification: no	

Print view

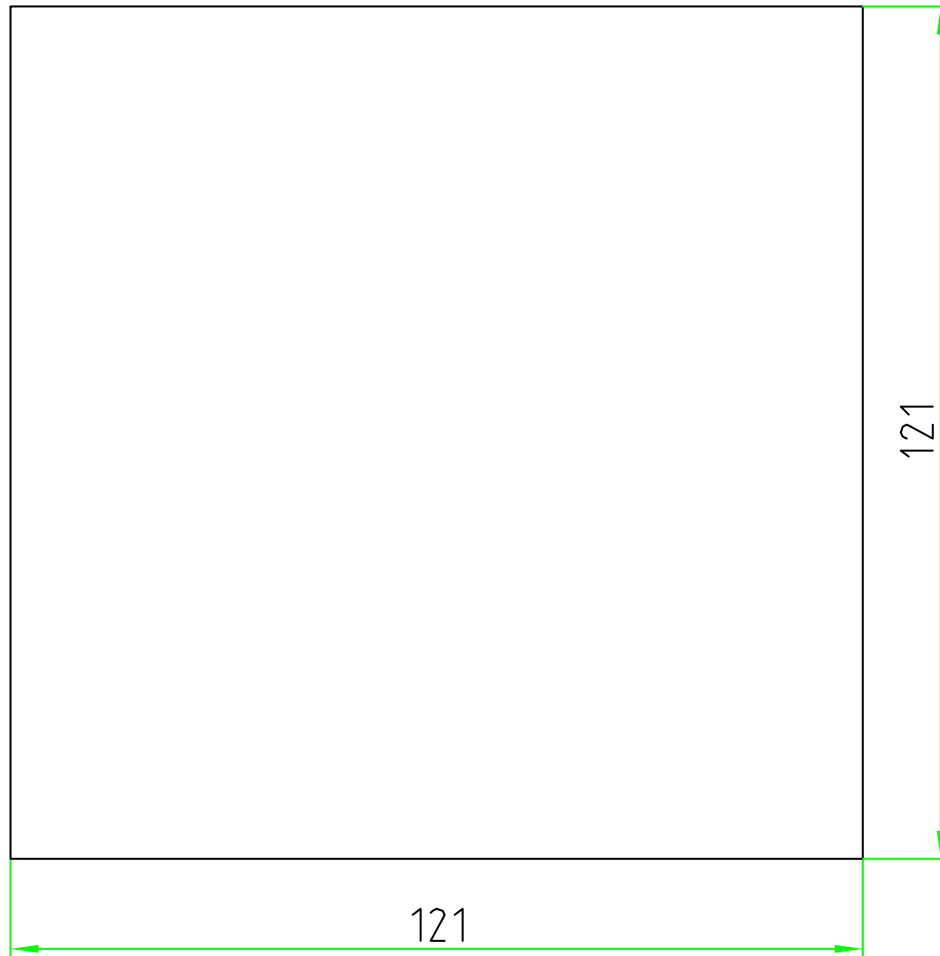


Code description: CD single with "0" flap	Mat: coated paper	Addition for bleed 3mm	Line width: min. 0,1 mm	Code: CDS0
	Paper weight: 150gr white	Colouring: CMYK+1	Screening: 150 Lpi	
		Font size: min. 6 PT	Modification: no	

Print view



Code description: CD single with 1 flap	Mat: coated paper	Addition for bleed 3mm	Line width: min. 0,1 mm	Code: CDS1
	Paper weight: 150 gr white	Colouring: CMYK+1	Screening: 150 Lpi	
		Font size: min. 6 PT	Modification: no	



Code description: BOOKLET 2 p.	Mat: Coated paper	Addition for bleed 3mm	Line width:min. 0,1 mm	Code: CDK
	Paper weight: 150 gr White	Colouring: CMYK+1	Screening: 150 Lpi	
		Font size:min.6 PT	Modification:no	